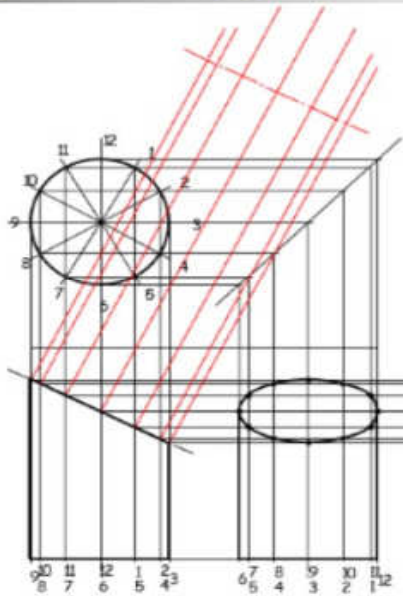


TRUE SHAPE OF CUT CYLINDER

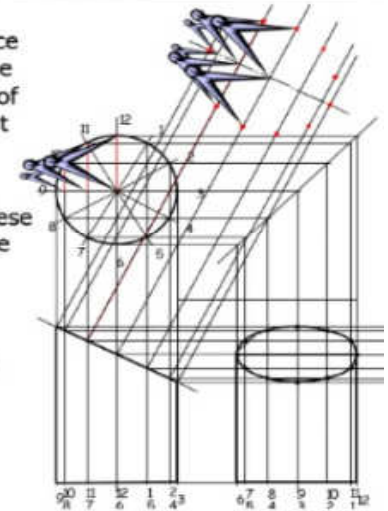
True Shape of cut (1)

- To draw the True Shape each of the points need to be projected away from the cut on the Elevation at right angles.



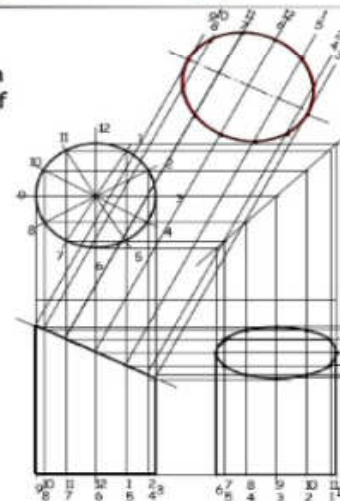
True Shape of cut (2)

- Measure the distance on the Plan from the centre line to each of the points of the cut surface.
- Transfer each of these points onto the True Shape.
- Mark each of the points found with a small dot.

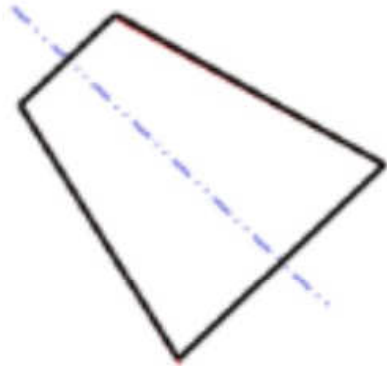


True Shape of cut (3)

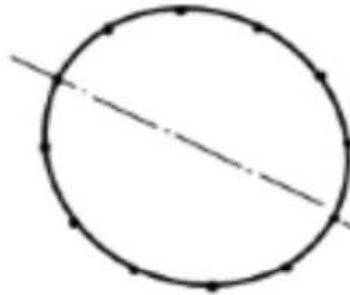
- To finish the True Shape draw a smooth curve through each of the points found.
- Darken the outline



TRUE SHAPES OF CUT PRISIMS

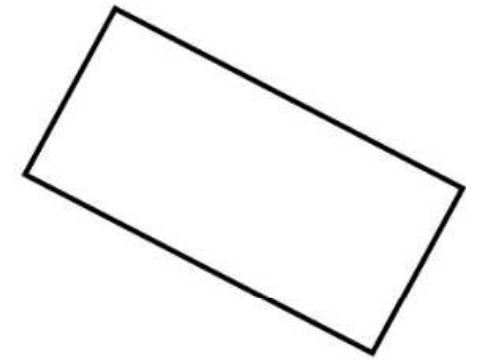


PYRIMID

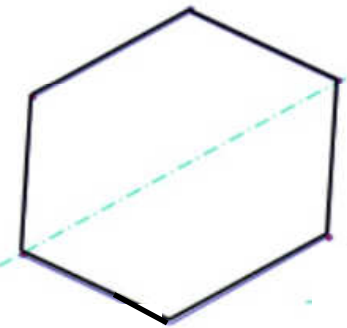


TRUE SHAPE OF SLOPING SURFACE

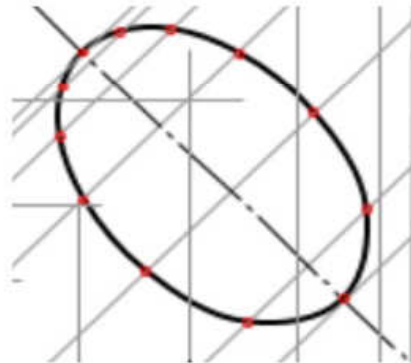
CYLINDER



RECTANGLE



HEXAGONAL PYRIMID



CONE