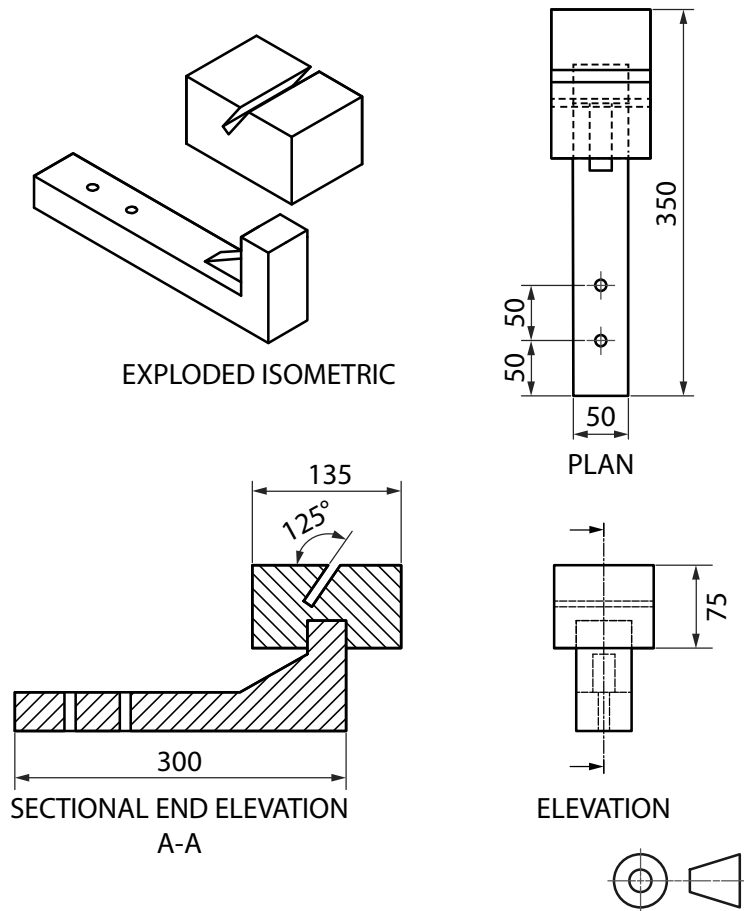


4. (continued)

An exploded isometric and the working drawing of the bracket used to hold the skateboards to the display board are shown below.



The CAD technician recognised **five** pieces of information in the working drawing that did not adhere to British Standard conventions.

(e) State the **five** errors found in the drawing.

You may annotate the drawing to support your answer.

5

---



---



---



---

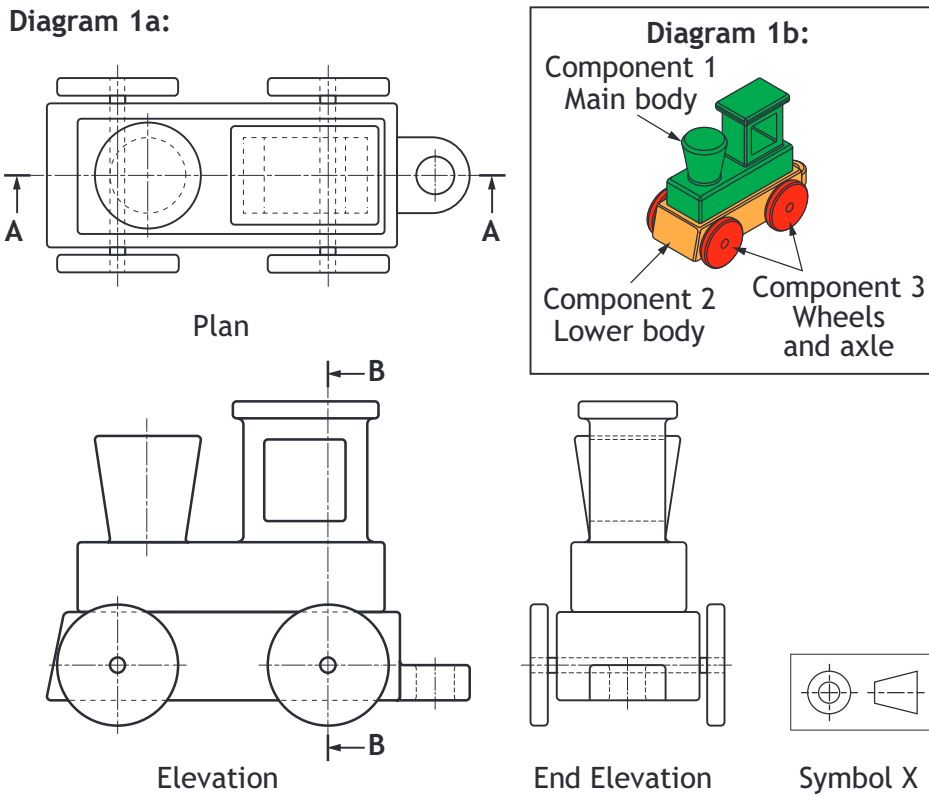


---

[END OF QUESTION PAPER]



6. A variety of views of a child's wooden toy train are shown below.



(a) State the name of the type of drawing shown in Diagram 1a. 1

---

(b) State the name of Symbol X in Diagram 1a. 1

---

(c) Describe the purpose of Symbol X. 1

---

6. (continued)

MARKS  
DO NOT  
WRITE IN  
THIS  
MARGIN

Four potential Sectional Elevations of the toy train views are shown below.

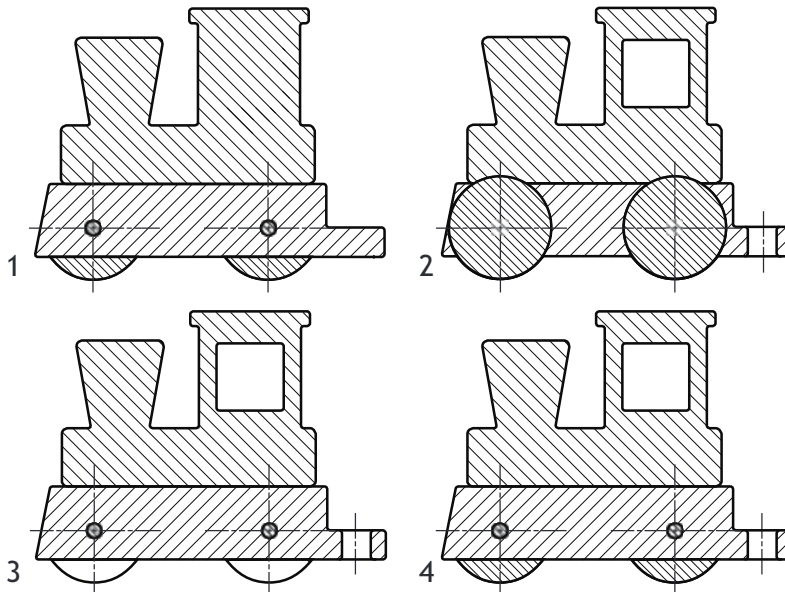


Diagram 2: Sectional Elevations on A–A

- (d) State, with reference to Diagram 1a and Diagram 2, the correct Sectional Elevation on A–A. 1

Four potential Sectional End Elevations of the toy train views are shown below

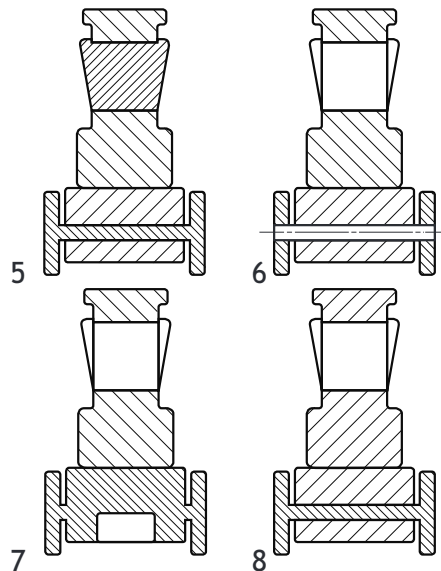


Diagram 3: Sectional End Elevations on B–B

- (e) State, with reference to Diagram 1a and Diagram 3, the correct Sectional End Elevation on B–B. 1



6. (continued)

A partial End Elevation complete with relevant dimensions (Diagram 4a) of the toy train is shown below. An End Elevation of the train track is shown (Diagram 4b).

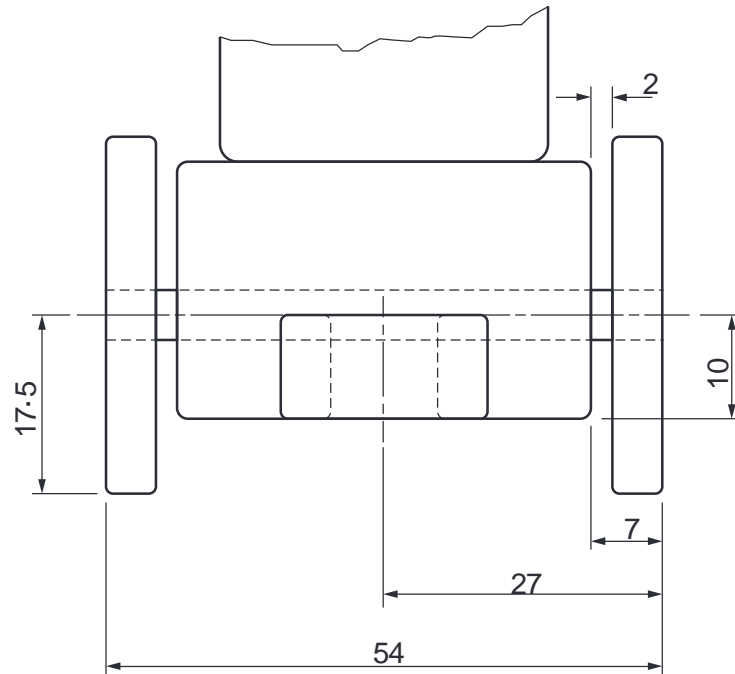
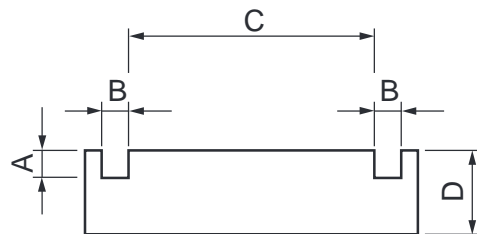


Diagram 4a: Dimensioned Partial End Elevation of the toy train



Track End Elevation

Diagram 4b: End Elevation of train track

(h) State, with reference to Diagram 4a and 4b, a dimension for:

- (i) A \_\_\_\_\_ 1
- (ii) B \_\_\_\_\_ 1
- (iii) C \_\_\_\_\_ 1
- (iv) D \_\_\_\_\_ 1