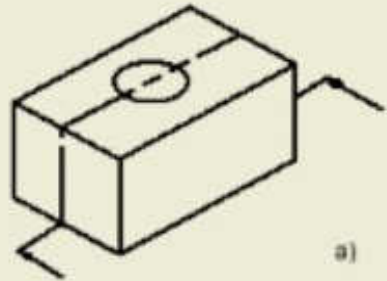
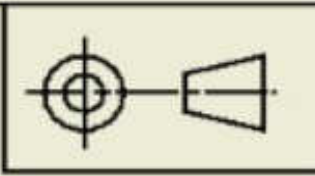
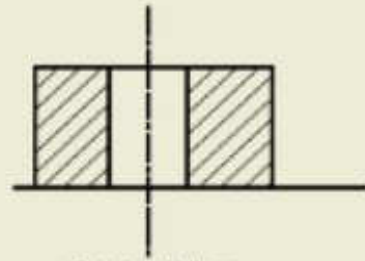


Ex 14

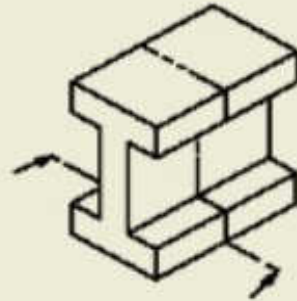
Draw freehand the sectional views for each of the given blocks. The first one (a) is done for you.



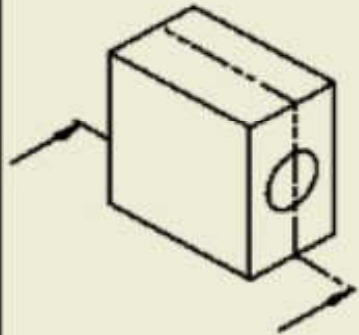
a)



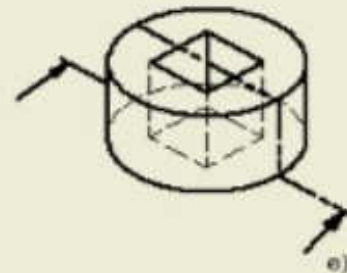
Sectional View



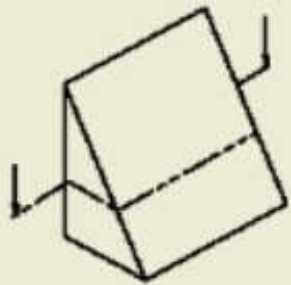
d)



b)



e)

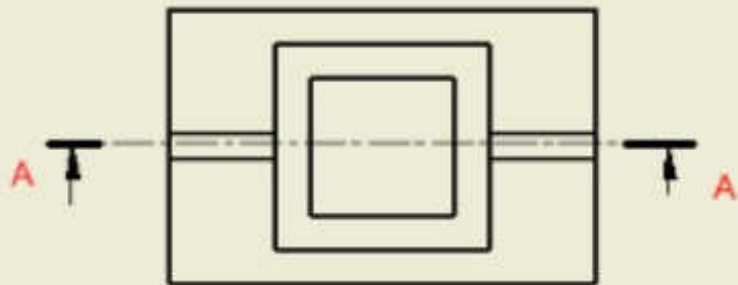
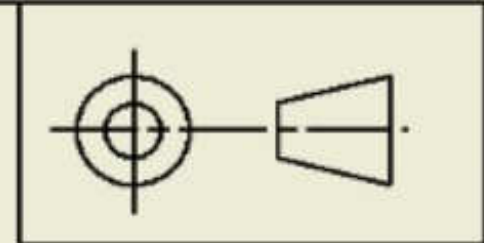


c)

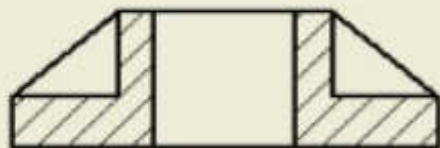


NAME	DATE
TITLE Ex 14	SCALE

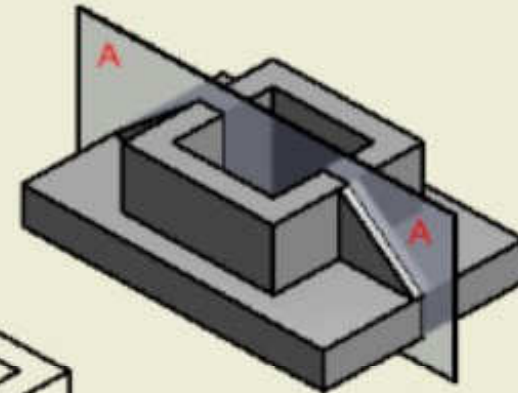
**ENGINEERING SECTIONS STUDY SHEET 1:-
HOW TO SECTION A WEB WHICH IS CUT
ALONG ITS LENGTH.**



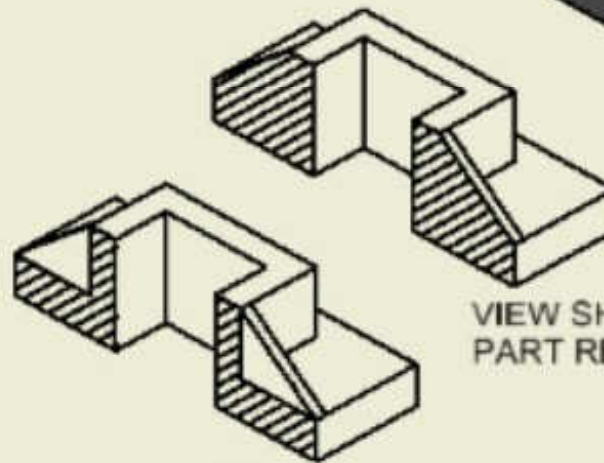
PLAN



SECTIONAL ELEVATION on 'A' 'A'



ISOMETRIC VIEW SHOWING
CUTTING PLANE 'A' 'A'

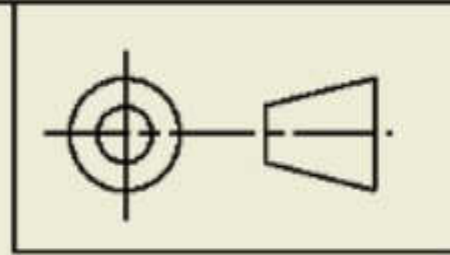


VIEW SHOWING CUT
PART REMOVED

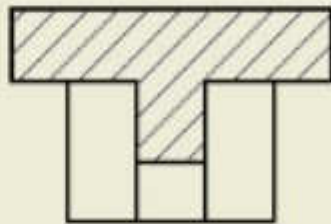
VIEW SHOWING HOW CUT
WOULD BE HATCHED WITH
PART REMOVED

STUDY SHEET	DATE
WEB IN SECTION	SCALE

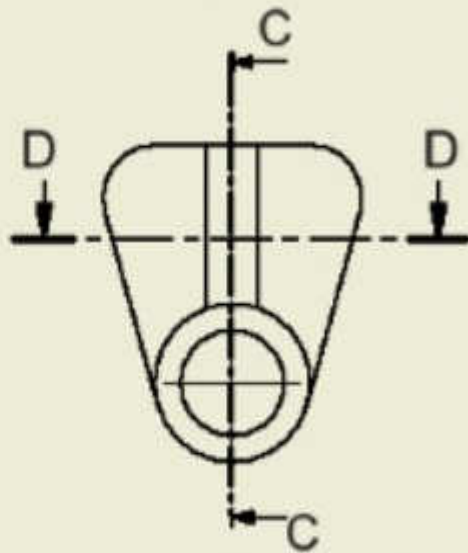
ENGINEERING SECTIONS STUDY SHEET 2:- TO DRAW A WEB IN SECTION WHICH IS CUT ACROSS



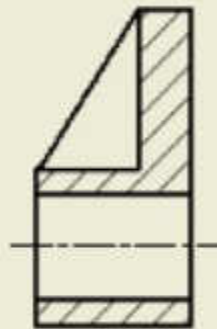
- a) ITS LENGTH
- B) ITS THICKNESS



SECTIONAL PLAN on 'D' 'D'

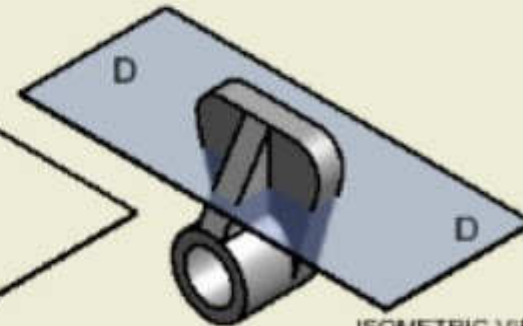
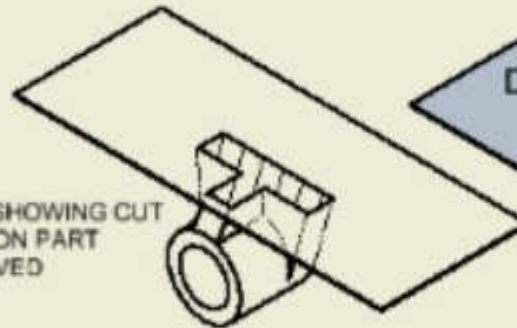


ELEVATION



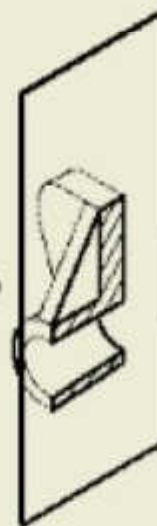
SECTIONAL END ELEVATION ON 'C' 'C'

VIEW SHOWING CUT SECTION PART REMOVED



ISOMETRIC VIEW SHOWING CUTTING PLANE 'D' 'D' ACROSS ITS THICKNESS

VIEW SHOWING CUT SECTION PART REMOVED

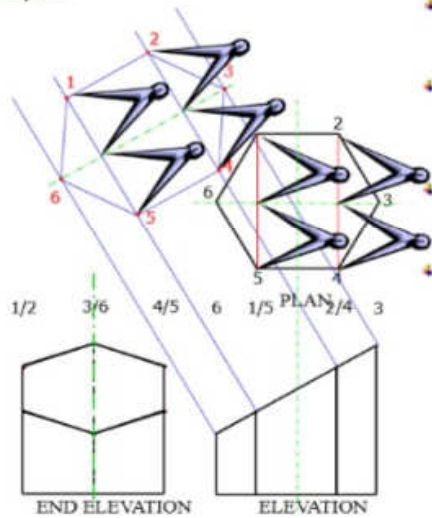


ISOMETRIC VIEW SHOWING CUTTING PLANE 'C' 'C' ACROSS ITS LENGTH

STUDY SHEET	DATE
WEB IN SECTION	SCALE

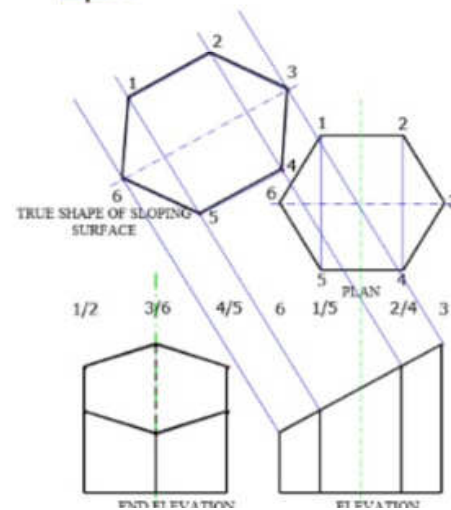
TRUE SHAPE HEXAGONAL PRISM

Drawing True Shape of cut surface



- ✦ To find the True Shape, project the cut points away from the Front Elevation at right angles to the cut.
 - ✦ Draw a datum line on the True Shape parallel to the cut line of the Front Elevation and at right angles to the lines just projected. Also add a datum line to the plan.
 - ✦ Measure the vertical distances from the datum to each of the cut points. Transfer these sizes onto the True Shape.
 - ✦ Number each of the points and join them to produce the True Shape.
- DEVELOPMENT

Finishing the drawing

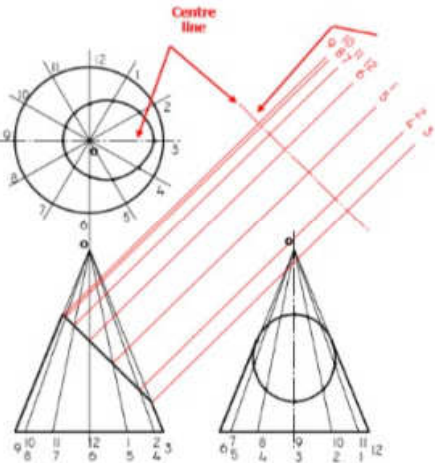


- ✦ To finish the drawing darken the outlines of the True Shape

TRUE SHAPE CUT CONE

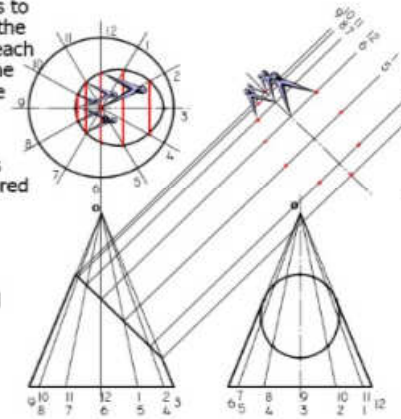
True Shape of cut (1)

- Project construction lines, at right angles from each intersection on the Elevation.
- Number each of the projected lines as shown.



True Shape of cut (2)

- Measure the sizes from the cut points to the centre line on the Plan and transfer each of these sizes to the correct lines on the True Shape.
- Note – These sizes can also be measured from the End Elevation.
- Mark each of the points with a small dot.



True Shape of cut (3)

- To finish the True Shape draw a smooth curve through each of the points found.

